


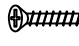
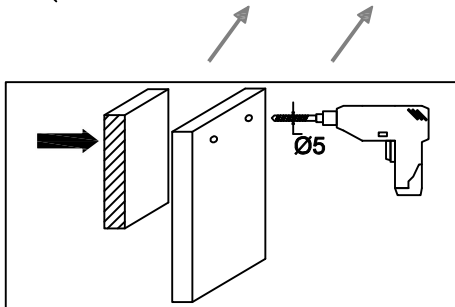
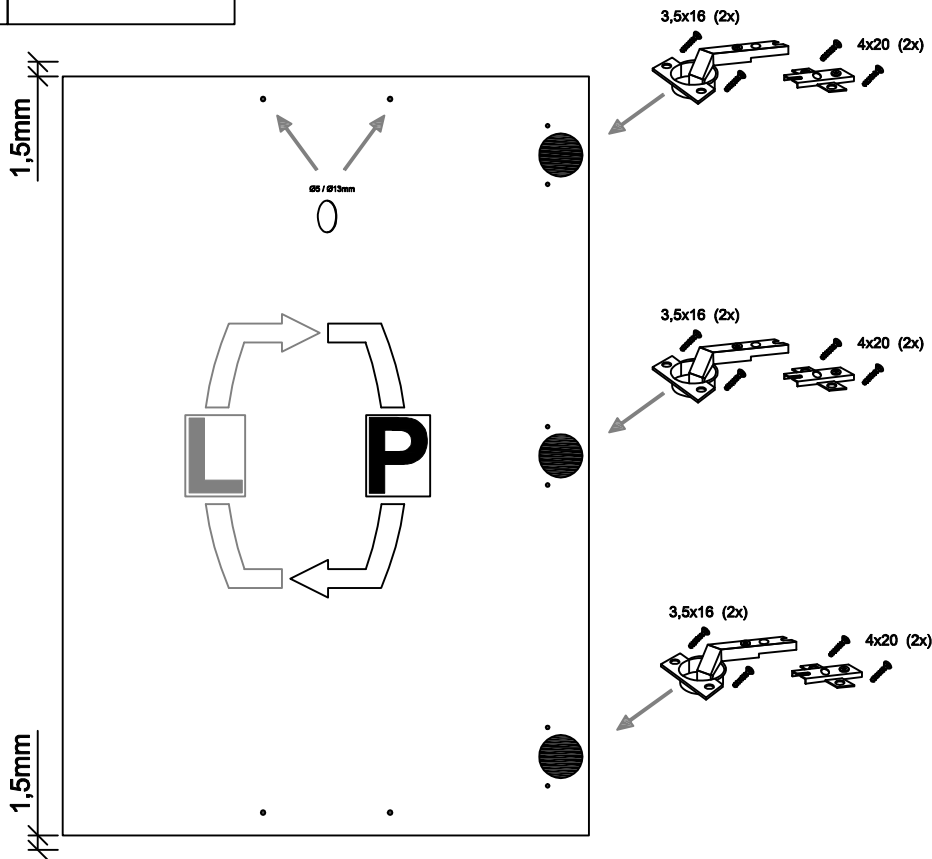
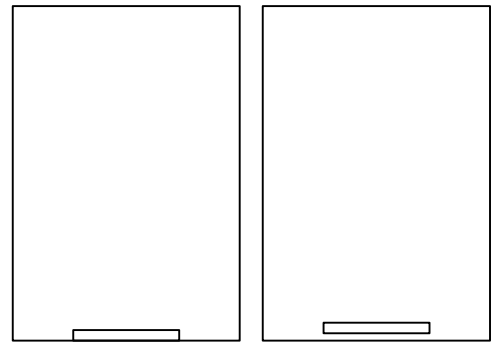


F22 1D450

M	x3	J	x4
		$\varnothing 5 / \varnothing 13\text{mm}$ 	
Q	x6	S	x6
3,5x16mm 		4x20mm 	



K17 HS450
V:1000

